

CAR PARKS 2009



AMP Parking GmbH
Planung und Beratung für Parkbauten

E-Mail : Info@amp-parken.de
Internet : www.amp-parken.de

Körnerstraße 25 · D-76135 Karlsruhe
Telefon: 0721 / 985 74 - 0 · Fax: 0721 / 985 74 - 99

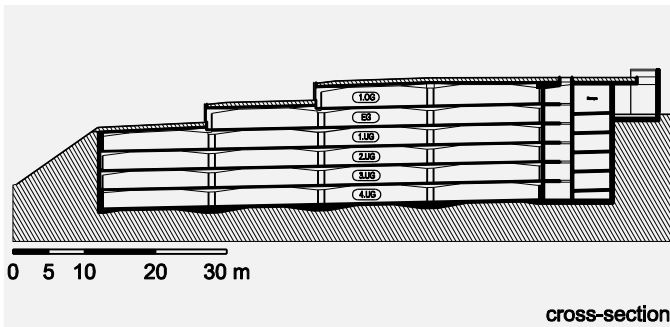
Car park Messe P5 in Essen



Foto: Horst Goebel, Görstroth



Foto: AMP



Description of the car park

Car park with 4 basements, 2 upper floors and 4 parking alleys; double entry and exit in the ground floor; storeys can be accessed by two spindel ramps.

Building owner

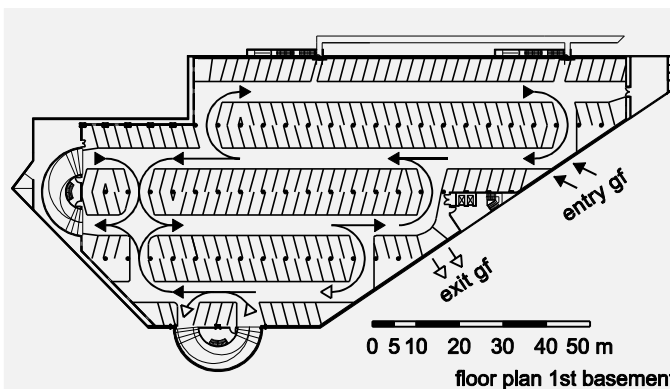
Messe Essen GmbH, represented by Grundstücksverwaltung Stadt Essen GmbH (GVE)

Design performance by AMP

Design of the building and the structure

General contractor

Bilfinger Berger Hochbau, Niederlassung Essen



Specifications

Number of Parking places:	1.143 PKW
Width of the parking places:	2,50 m
Parking angle:	75°
Span (longitudinal/across):	5,18 m /15,33 m
Storey height:	2,70 m
Commencement of constuktion:	January 2008
Opening:	August 2009



Foto: AMP

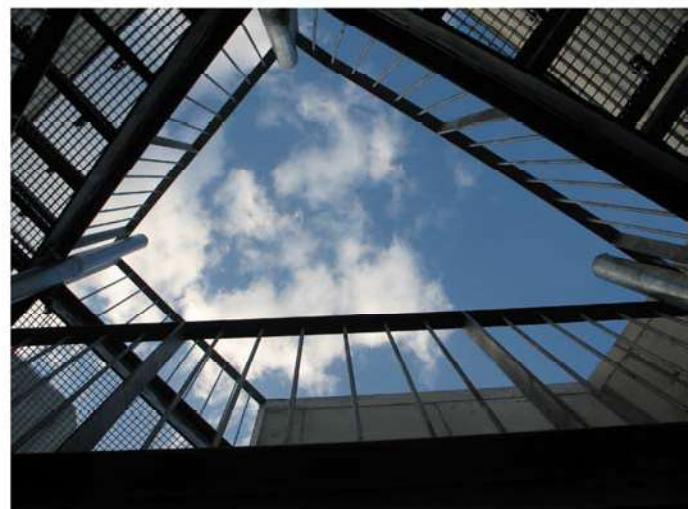


Foto: AMP